

Procedure 7.1 - Replacing the Mid-Point Cover

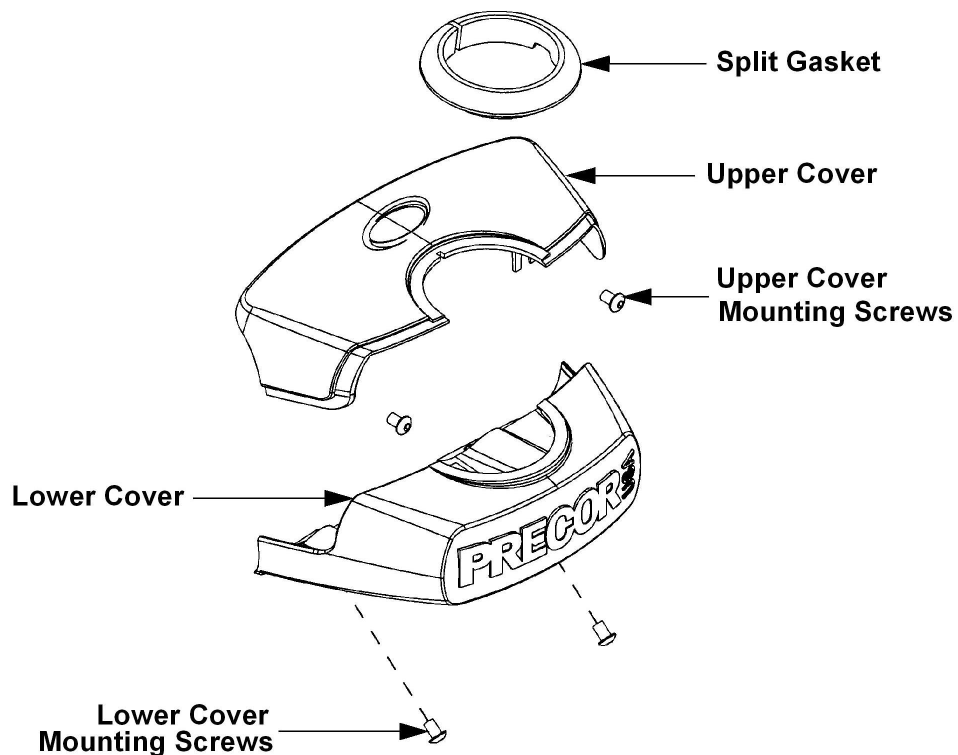
1. Set the on/off switch in the "off" position, then unplug the power cord from the wall outlet.

WARNING

Before continuing with this procedure, review the Warning and Caution statements listed in Section One, Things You Should Know.

2. Remove two screws that fasten the upper mid-point cover. Remove two screws that fasten the lower mid-point cover. Remove both halves of the cover and the split gasket. See Diagram 7.1.

Diagram 7.1 - Mid Point Cover



3. Fit the two replacement cover halves and gasket at their mounting positions. Hand start the four mounting screws removed in step 2.
4. Hold the cover halves in place and tighten the four mounting screws.